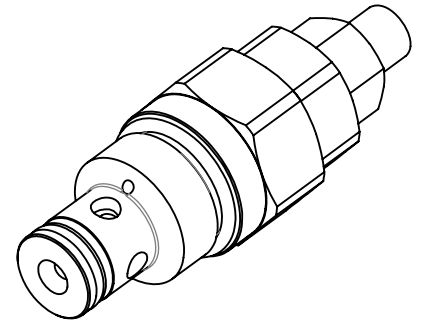
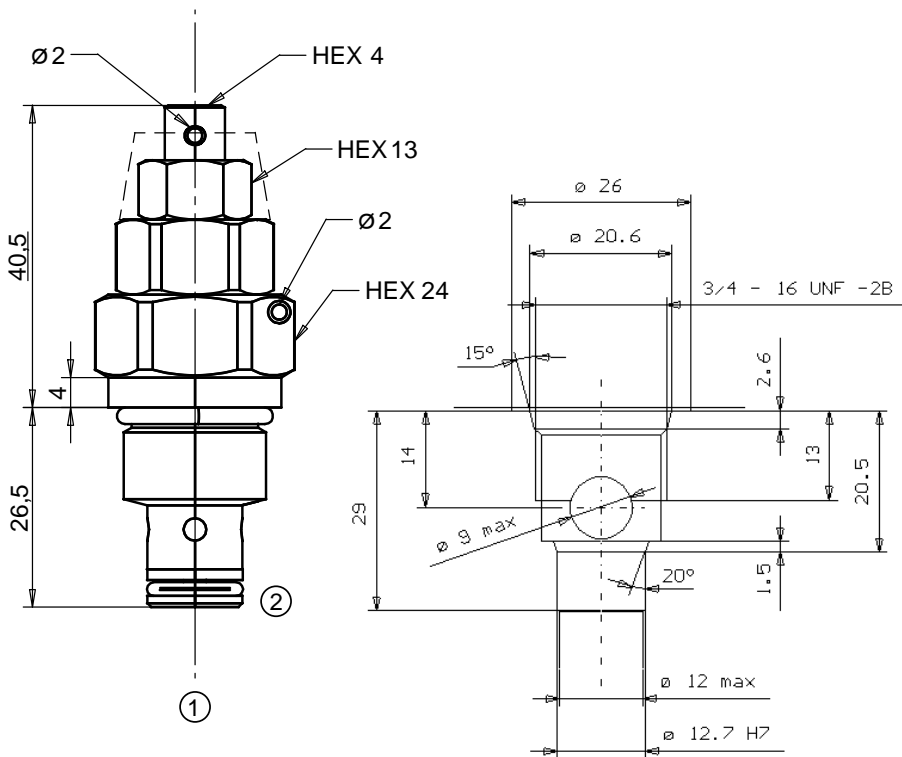
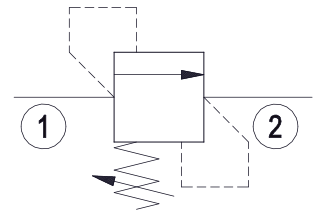


Dimensions

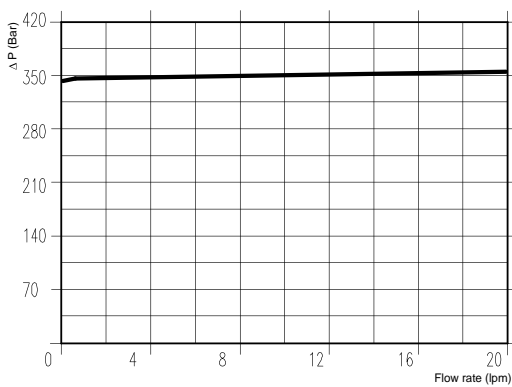


Size	C	D	E H7	F	G	H	L	M	N max	P max	Q	R	S	Weight kg
20	28	3/4-16UNF	Ø12,7	31,5	19	13	13	29	9	11	2,5	0,5	20,7	0,051

Hydraulic Symbol



Curves




Features

Max Flow	20 lpm
Max Pressure	350 bar
Installation Torque	45-50 Nm

**Materials:** Zinc plated steel cartridge, hardened steel inner parts.

Ordering Code

PRC 20		--	-
Spring (bar)			
30	50-350		
Adjustments			
A		Socket Screw	

**Ordering Code Example:** PRC2030A = 50-350 bar setting range, Socket screw adjustment.