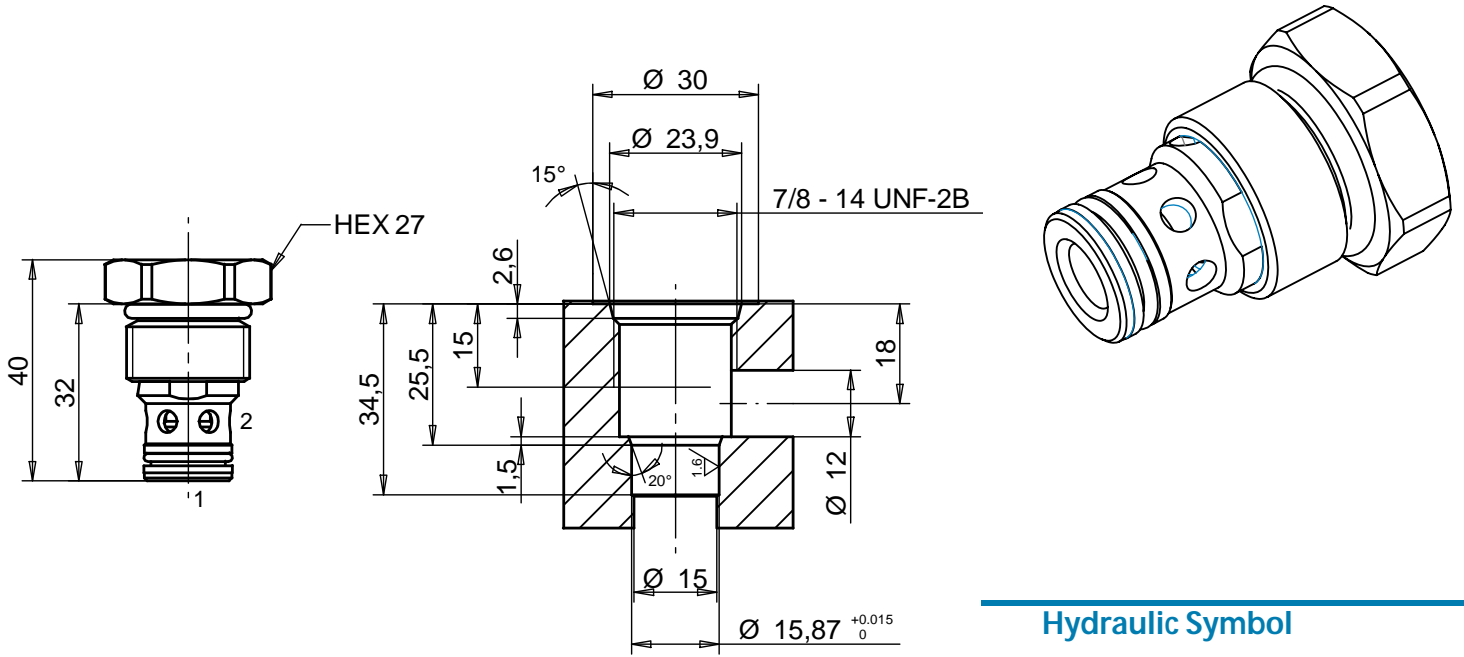


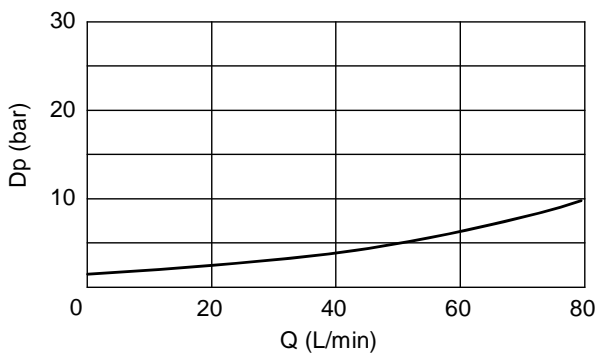
Dimensions



Hydraulic Symbol



Curves



Features

Max Flow	80 lpm
Max Pressure	350 bar
Cracking Pressure	1,5 bar
Installation Torque	40-45 Nm

Ordering Code

CVC 80