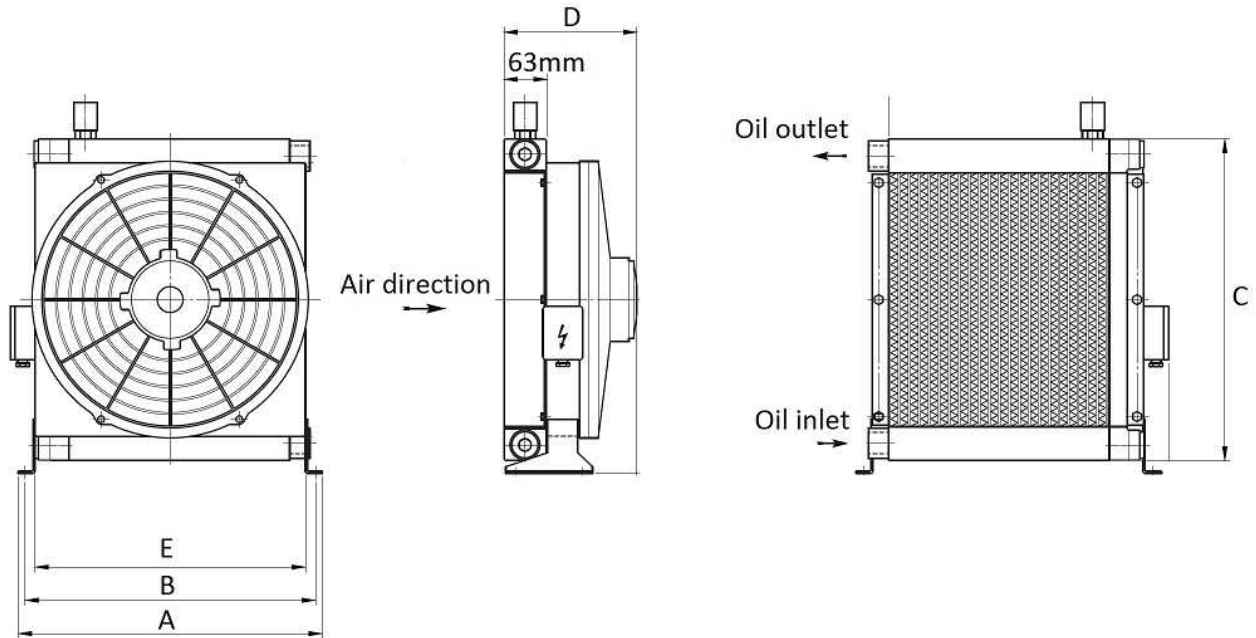


GreenLine Spare parts

GreenLine Heat exchangers

Heat exchangers oil/air with thermostat

Page: 1/1



Part n°	R1	Voltage (V)	Power (W)	Min. flow (l/min)	Max. flow (l/min)	Cap. (l)	Air flow (m³/h)	P(IP)	Current	Noise level db(A)	A	B	C	D	E
INTER21012V	1" BSP	12 VDC	120	30	100	1,7	1.600	68	10	75	284	258	322	235	296
INTER21024V	1" BSP	24 VDC	120	30	100	1,7	1.600	68	5	75	284	258	322	235	296
INTER25012V	1" BSP	12 VDC	168	30	140	1,7	1.800	68	14	75	371	345	372	235	377
INTER25024V	1" BSP	24 VDC	168	30	140	2	1.800	68	7	75	371	345	372	235	377
INTER39024V	1" BSP	24 VDC	204	50	200	5	2.600	68	8.5	83	461	435	480	250	457

*** Review attached PDF***

Maximum Working Pressure: 30 Bar

Continuous working pressure 10 - 25 Bar

The thermostat activates the radiator when it goes above 60°C and turns off when it drops below 50°C.