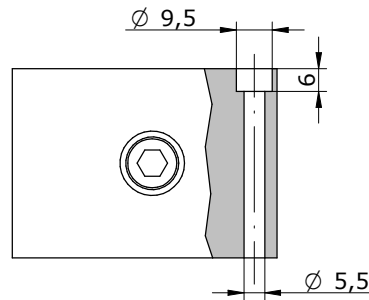
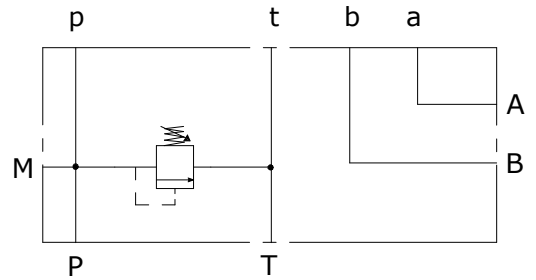


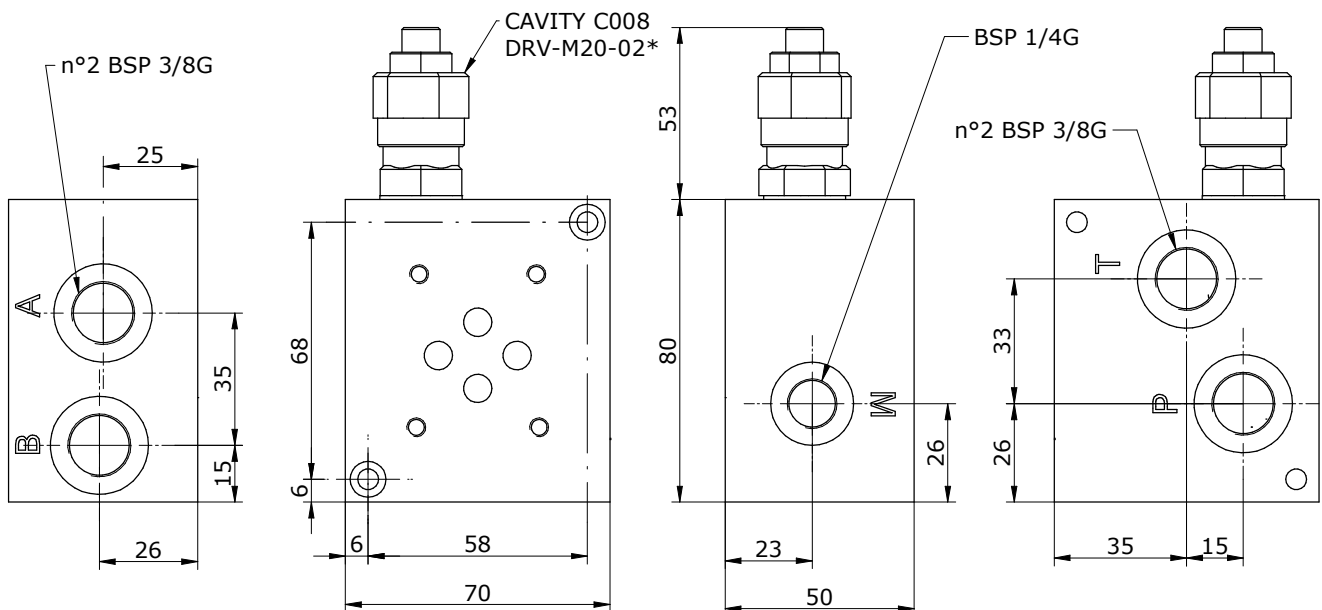
Schema idraulico  
Hydraulic diagram



**TIPI DI REGOLAZIONE**

**REGULATION TYPE**

	<b>H</b>	<b>VITE CON CHIAVE ESAGONALE(standard)</b> HEXAGONAL HEAD SCREW
	<b>K</b>	<b>POMOLO</b> KNOB
	<b>C</b>	<b>CAPPUCCIO INVIOLABILE</b> COVER CAP NOT ADJUSTABLE



**E\_ 06 - 33 - 38 - - - -**

**S** = STEEL  
**A** = ALUMINIUM

**0** = WITHOUT RELIEF VALVE (PLUGGED CAVITY)  
**1** = WITH RELIEF VALVE  
**2** = RELIEF VALVE READY

**0** = WITHOUT RELIEF VALVE  
**H** = HEXAGONAL HEAD SCREW  
**K** = KNOB  
**C** = COVER CAP NOT ADJUSTABLE

**0** = WITHOUT R.V.  
**1** = 5-55 bar  
**2** = 25-110 bar  
**3** = 50-215 bar  
**4** = 100-350 bar  
**5** = 100-420 bar

\*see **CARTRIDGE VALVES** datasheets

Via Nicolò Copernico 12/c-d  
29027 Casoli Di Gariga - Podenzano (PC) Italy

www.oleodinamica2mp.it  
Tel +39 0523 523231  
Fax +39 0523 524509