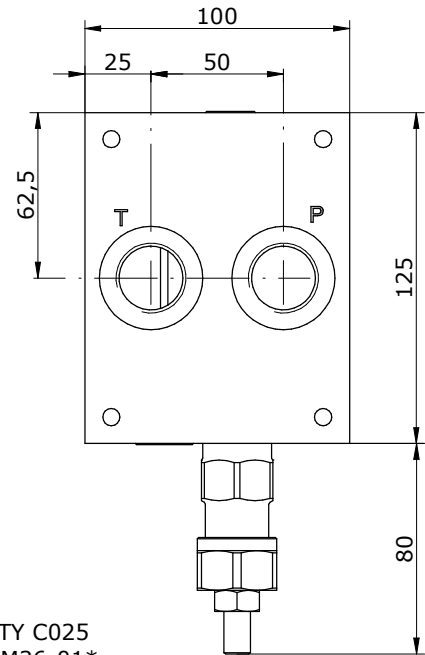
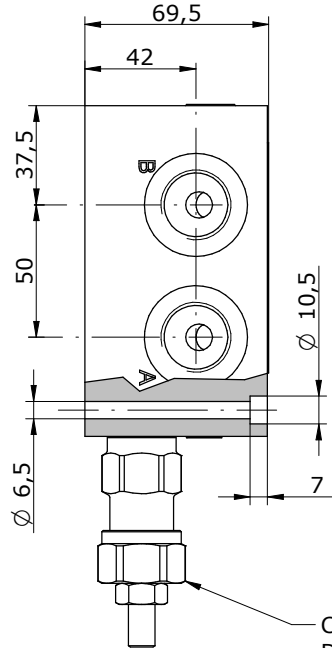
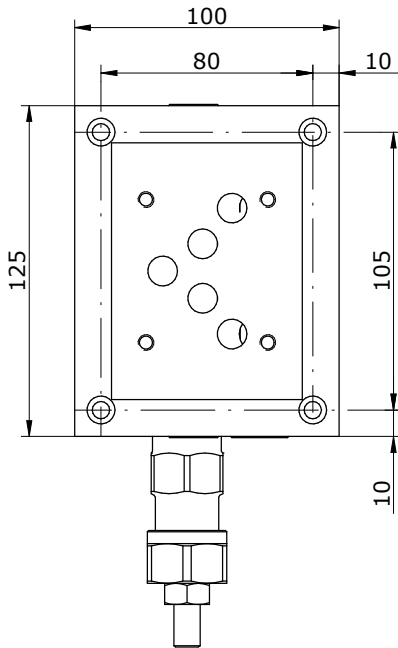
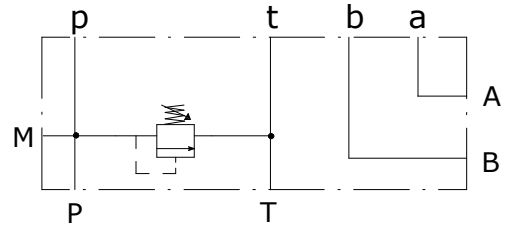


Schema idraulico  
 Hydraulic diagram

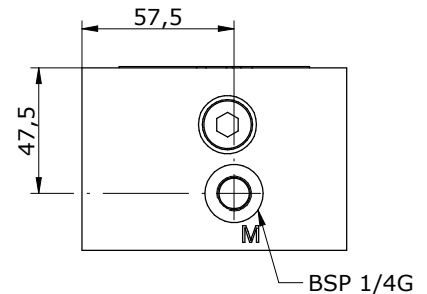


CAVITY C025  
 DRV-M26-01\*

**TIPI DI REGOLAZIONE**

REGULATION TYPE

	<b>H</b>	VITE CON CHIAVE ESAGONALE(standard) HEXAGONAL HEAD SCREW
	<b>K</b>	POMOLO KNOB
	<b>C</b>	CAPPUCCIO INVIOLABILE COVER CAP NOT ADJUSTABLE



**E\_ 10 - 04 - - - - -**

**S** = STEEL  
**A** = ALUMINIUM

**12** = BSP 1/2G  
**34** = BSP 3/4G

**0** = WITHOUT RELIEF VALVE (PLUGGED CAVITY)  
**1** = WITH RELIEF VALVE  
**2** = RELIEF VALVE READY

**0** = WITHOUT RELIEF VALVE  
**H** = HEXAGONAL HEAD SCREW  
**K** = KNOB  
**C** = COVER CAP NOT  
 ADJUSTABLE

**0** = WITHOUT RELIEF VALVE  
**1** = 5-55 bar  
**2** = 25-110 bar  
**3** = 75-250 bar

\*see **CARTRIDGE VALVES** datasheets

Via Nicolò Copernico 12/c-d  
 29027 Casoli Di Gariga - Podenzano (PC) Italy

www.oleodinamica2mp.it  
 Tel +39 0523 523231  
 Fax +39 0523 524509