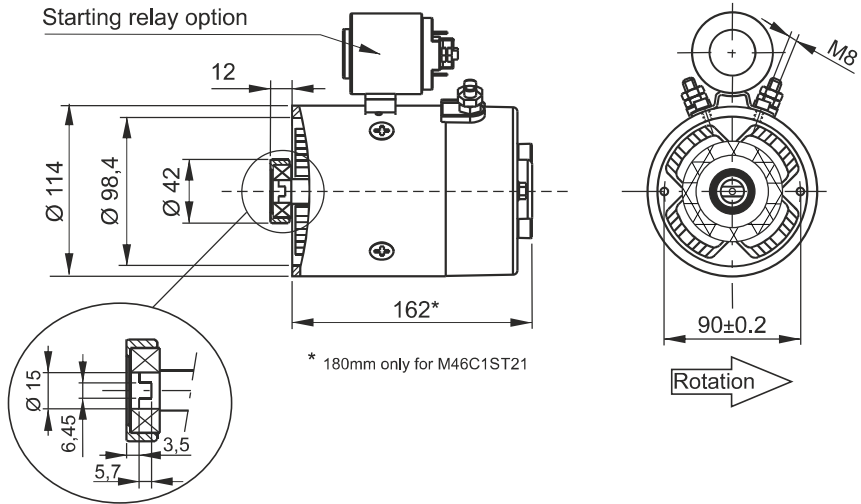


INTEGRAL DC MOTORS Ø114



Series wound
 Protection degree: IP54
 Insulation class: F
 Weight: 7,05 kg (without starting switch)



Code

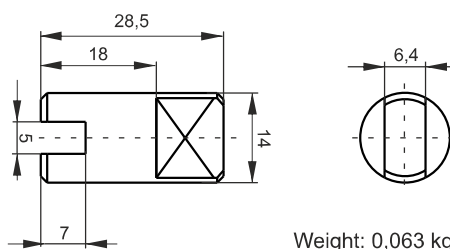
Description	Assembly code	Spare part code	Nominal duty cycle	Nominal speed	Nominal current
1600W 12V DC + thermal protection	1,6 12DC_T	M46C1ST16	S2: 3 min S3: 10% ED	2800 rpm	210 A
2100W 12V DC + thermal protection	2,1 12DC_T	M46C1ST21	S2: 2,5 min S3: 10% ED	2400 rpm	300 A
2200W 24V DC + thermal protection	2,2 24DC_T	M46C2ST22	S2: 3,5 min S3: 15% ED	2400 rpm	130 A

Options & couplings

Description	Assembly code	Spare part
12V DC 150 Amp start relay + mounting kit	S150 12DC 112	M47SC0001 + M47SK1121
24V DC 150 Amp start relay + mounting kit	S150 24DC 112	M47SC0002 + M47SK1121
Mounting kit for Ø114-Ø125 DC motors and gr.1 pumps	EPB114-1	E36200003 + E10103010
Plastic protection cover for Ø114 motors	MC	F16000001
Wired remote control with 2 buttons and 3m cable	P0201 (single acting)	
Wired remote control with 4 buttons and 3m cable	P0202 (double acting)	

The coupling is already included when specifying the motor in EPB assembly code.
 It is to be indicated on the order only when ordering EPB with no motor but with coupling.

Coupling E36200003



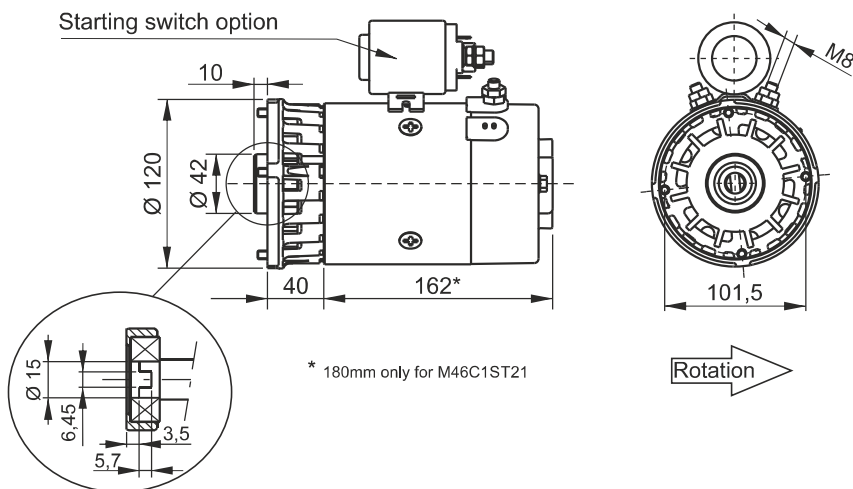
Weight: 0,063 kg

SECTION A

INTEGRAL DC MOTORS Ø114 WITH COOLING FAN



Series wound
 Protection degree: IP20
 Insulation class: F
 Weight: 7,5 kg (without starting switch)



Code

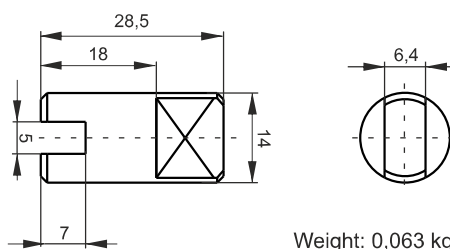
Description	Assembly code	Spare part code	Nominal duty cycle	Nominal speed	Nominal current
1600W 12V DC with cooling fan + thermal protection	1,6 12DC_FE	M46C1SF16FE	S2: 4 min S3: 10% ED	2800 rpm	210 A
2100W 12V DC with cooling fan + thermal protection	2,1 12DC_FE	M46C1SF21FE	S2: 3,5 min S3: 10% ED	2400 rpm	300 A
2200W 24V DC with cooling fan + thermal protection	2,2 24DC_FE	M46C2SF22FE	S2: 4,5 min S3: 15% ED	2400 rpm	130 A

Options & couplings

Description	Assembly code	Spare part
12V DC 150 Amp start switch + mounting kit	S150 12DC 112	M47SC0001 + M47SK1121
24V DC 150 Amp start switch + mounting kit	S150 24DC 112	M47SC0002 + M47SK1121
Mounting kit for Ø114-Ø125 DC motors and gr.1 pumps	EPB114-1	E36200003 + E10103010
Wired remote control with 2 buttons and 3m cable	P0201 (single acting)	
Wired remote control with 4 buttons and 3m cable	P0202 (double acting)	

The coupling is already included when specifying the motor in EPB assembly code.
 It is to be indicated on the order only when ordering EPB with no motor but with coupling.

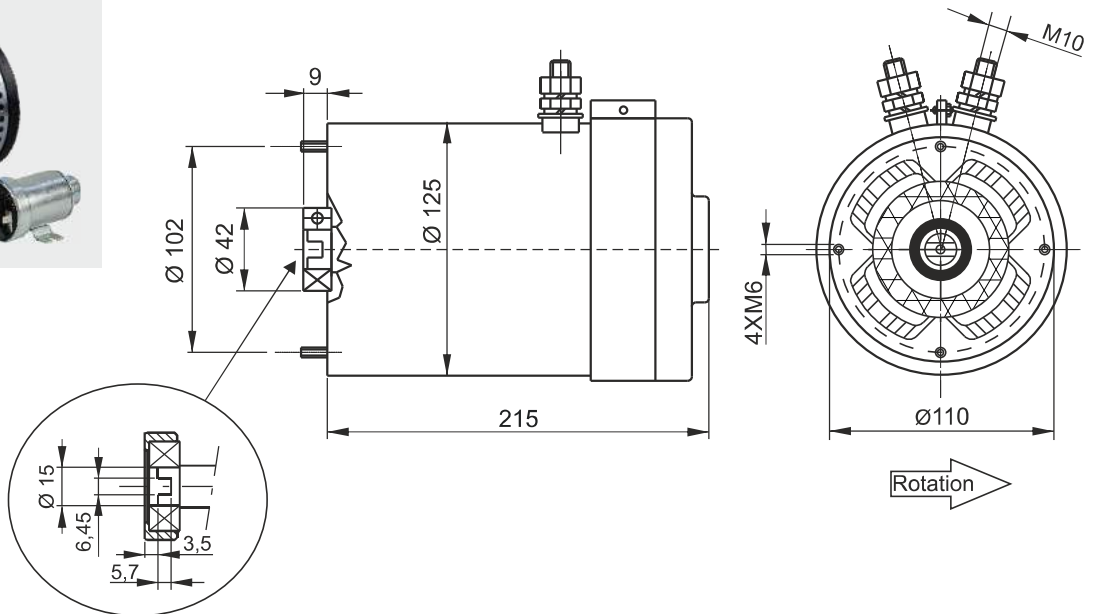
Coupling E36200003



INTEGRAL DC MOTORS Ø125



Compound wound (3kW)
 Series wound (4kW)
 Protection degree: IP42
 Insulation class: F
 Weight: 11kg (without starter)



Code

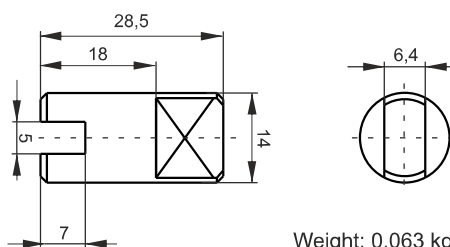
Description	Assembly code	Spare part code	Nominal duty cycle	Nominal speed	Nominal current
3000W 24 V DC + thermal protection	3 24DC_T	M46C2ST30	S2: 4min S3: 10% ED	2600 rpm	180 A
4000W 24 V DC + thermal protection	4 24DC_T	M46C2ST40	S2: 3min S3: 8% ED	3500 rpm	230 A

Options & couplings

Description	Assembly code	Spare part code
24V DC 200 Amp start switch + mounting kit	S200 24DC 125_151	M47ZC0002 + M47SK1251
Mounting kit for Ø114-Ø125 DC motors and gr.1 pumps	EPB114-1	E36200003 + E10103010
Wired remote control with 2 buttons and 3m cable	P0201 (single acting)	
Wired remote control with 4 buttons and 3m cable	P0202 (double acting)	

The coupling is already included when specifying the motor in EPB assembly code.
 It is to be indicated on the order only when ordering EPB with no motor but with coupling.

Coupling E36200003



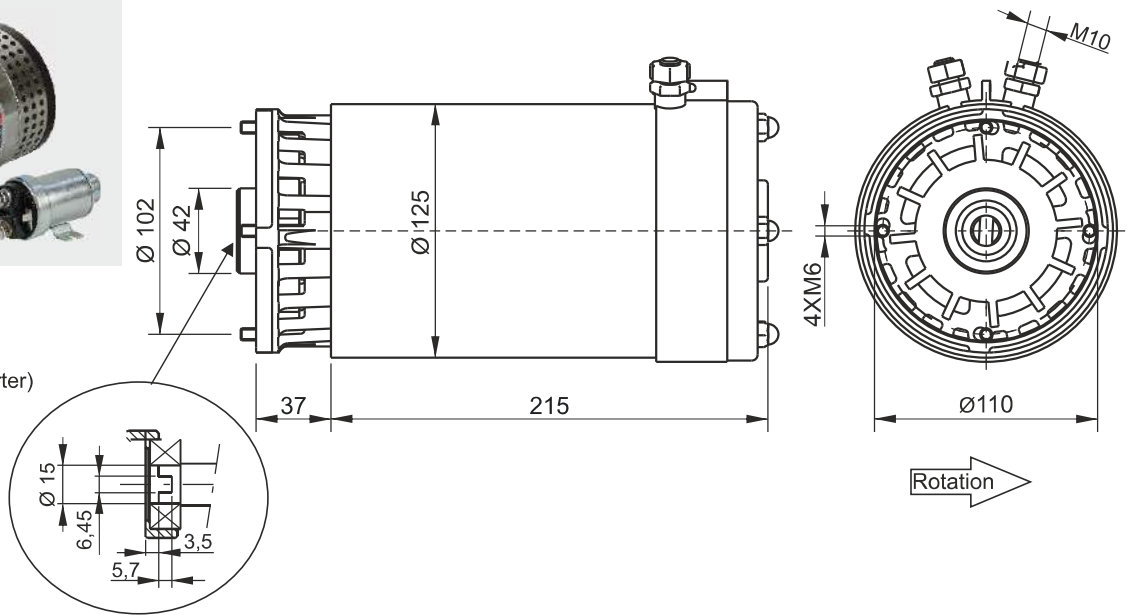
Weight: 0,063 kg

SECTION A

INTEGRAL DC MOTORS Ø125 WITH COOLING FAN



Compound wound (3kW)
 Series wound (4kW)
 Protection degree: IP20
 Insulation class: F
 Weight: 11,45kg (without starter)



Code

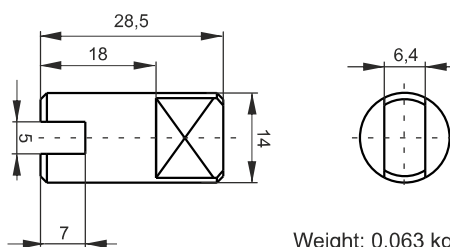
Description	Assembly code	Spare part code	Nominal duty cycle	Nominal speed	Nominal current
3000W 24 V DC with fan cooling + thermal protection	3 24DC_FE	M46C2SF30FE	S2: 5min S3: 10% ED	2600 rpm	180 A
4000W 24 V DC with fan cooling + thermal protection	4 24DC_FE	M46C2SF40FE	S2: 4min S3: 8% ED	3500 rpm	230 A

Options & couplings

Description	Assembly code	Spare part code
24V DC 200 Amp start switch + mounting kit	S200 24DC 125_151	M47ZC0002 + M47SK1251
Mounting kit for Ø114-Ø125 DC motors and gr.1 pumps	EPB114-1	E36200003 + E10103010
Remote wired control with 2 buttons and 3m cable	P0201 (single acting)	
Remote wired control with 4 buttons and 3m cable	P0202 (double acting)	

The coupling is already included when specifying the motor in EPB assembly code.
 It is to be indicated on the order only when ordering EPB with no motor but with coupling.

Coupling E36200003



Weight: 0,063 kg